



---

**Pre-installation Data Sheet**

Bathtubs and Whirltubs

## Index

Notes.....	2
Pre-installation .....	3
Maintenance openings .....	5
Data sheets for bathtubs and whirltubs .....	9

## Notes

### NOTESPLANNING

Before starting the installation, plan the layout in detail, taking the site conditions into consideration.

### TARGET READERSHIP AND QUALIFICATIONS

All work associated with the installation and water connection may only be undertaken by a plumber and all work associated with the electrical installation may only be undertaken by a licensed electrician.

### SAFETY INSTRUCTIONS

#### **Incorrect handling/transport may result in product damage.**

The metal frame and whirl system are not resilient.

- > Never hold by the metal frame or whirl system.

Improper transport can cause damage to the product and/or property damage, e.g. leaks.

- > Wear appropriate protective clothing.
- > Avoid knocks.

#### **Risk of product and/or property damage!**

The breach of local and country-specific regulations and standards can cause damage to the product and/or property damage.

- > Observe the local installation regulations and any country-specific standards at all times.

Duravit AG assumes no liability for the consequences of improper handling or improper transport.

## Pre-installation

### Pre-installation

#### INSTALLATION LOCATION / INSTALLATION ROOM

> Make sure that the installation location fulfils the following criteria

<b>Doors / external access</b>	<ul style="list-style-type: none"> <li>Ensure that doors or other access openings are large enough to accommodate transport dimensions, keeping in mind the weight and need for sufficient manoeuvring room.</li> </ul>
<b>Required area</b>	<ul style="list-style-type: none"> <li>Allow for enough space around the tub for the installation.</li> </ul>
<b>Floor</b>	<ul style="list-style-type: none"> <li>Completely level.</li> <li>At a right angle to the wall.</li> <li>Note the overall strength of the floor structure including the floor finish.</li> <li>There must not be any underfloor heating under the tub.</li> <li>Install tubs <b>after</b> the tiles. (Top edge of finished floor).</li> <li>Depending on the combination of tub and whirl system it is possible that system components may protrude beyond the edge of the tub. We therefore recommend installation in a support frame.</li> <li><b>Tolerances for acrylic:</b> As a result of the manufacturing process, deviations from the nominal dimensions may occur within the limits specified in the DIN 198 standard. Please take this into account in your planning.</li> </ul>
<b>Wall</b>	<ul style="list-style-type: none"> <li>Tiled.</li> <li>At a right angle to the tub.</li> <li>Completely straight.</li> <li>Note the overall strength of the wall structure including the wall finish.</li> </ul>

#### WATER INSTALLATION

##### NOTE

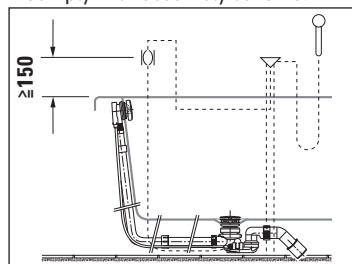
Bathtubs without overflow will overflow into the room.

> If a bathtub is installed without an overflow, a floor drain must be installed to protect the building against overflow water in accordance with DIN 1986-100.

##### NOTE

A pipe interrupter is absolutely essential for tubs with a base inlet (DIN EN 1717).

> Comply with assembly scheme.



#### Water connection

- Connections for the water supply and drains must be in compliance with the currently valid standards and public regulations.
- Position the water drain (DN 50) flush to the mounting surface or out of the wall directly above the mounting surface; see drawing for recommended area.

#### MAINTENANCE OPENINGS AND AIR SUPPLY

##### NOTE

It is recommended to install the tub with a removable bathtub panel due to the improved maintenance options.

#### Tiling the tub

The following maintenance openings must be provided:

- Cable-driven waste and overflow 200 x 200 mm
- Units 500 x 500 mm  
(Please see the section on "Maintenance openings")
- Provide an opening in the panel for the air supply with an effective area of approx. 15cm<sup>2</sup> (e.g. 3 x 5 cm or 2 x 7.5 cm).

#### Tub with a panel

- The panel must be removed for maintenance, and with a seamless panel, the tub must be removed from the wall. Your plans should therefore include a clearance in front of the tub.
- The air supply for the whirl system (ventilation grille/ventilation slot) must not be covered.

#### ELECTRICAL INSTALLATION



**DANGER**

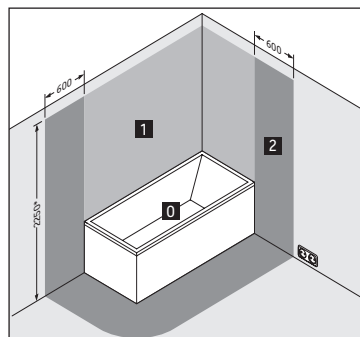
**Risk of fatal electric shock**

- Disconnect the power supply while working on the electrical components.
- The device must be earthed. Earthed appliances must be permanently connected to fixed wiring.
- Connect the device only to the designated electrical cable.
- NEVER touch the power supply line with wet hands.

#### Pre-installation

- Lay a permanent power supply line which must be on a separate circuit.
  - The device itself does not have electrical leakage protection function. The device must be supplied through a residual current device (RCD) with a rated residual operating current not exceeding 30 mA.
  - Means for disconnection must be incorporated in the fixed wiring in accordance with the wiring rules and have a contact separation in all poles that provides full disconnection under overvoltage category III conditions outside the prescribed protection zones (0 - 2).
    - Leave 3000 mm of the supply line exposed.
- Lay an equipotential bonding cable:
  - Leave 3000 mm of cable exposed.
- Select a supply line cross-section based on the connected load on the identification plate (2.5 mm - 4 mm).
- Confirm that the grounding wire is 10 mm (3/8") longer than the L and N wire.
- Install a circuit breaker.

## PROTECTION ZONES



\* Or the height of the highest fixed-location shower head/water outlet, whichever is higher.

## WHIRLTUBS

### Electrical data

Whirl system	Rated power with standard equipment	Max. rated power, fully-equipped
Air System (# 760XXX XX X AS 00XX)	0.76 kW	0.85 kW
Air System (DuraSolid) (# 760XXX XX X AS 00XX)	0.58 kW	0.58 kW
Jet Project (# 760XXX XX X JP 10XX)	0.66 kW	0.66 kW
Jet System (# 760XXX XX X JS 10XX)	0.59 kW	0.67 kW
Combi-System P (# 760XXX XX X CP 10XX)	1.89 kW	1.98 kW
Combi-System E (# 760XXX XX X CE 10XX)	1.91 kW	2.96 kW
Combi-System L (# 760XXX XX X CL 10XX)	1.59 kW	2.64 kW
Jet System E (# 760XXX XX X JE 10XX)	1.14 kW	2.20 kW

### Power supply

# 76XXXX XX X XX XXX0: 220-240V AC, 50Hz

# 76XXXX XX X XX XXX6: 220-240V AC, 60Hz

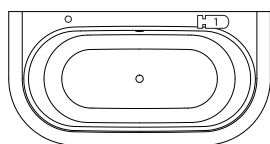
**Fuse**  $I_n = 16 \text{ A}$

**RCD**  $I_{\Delta N} \leq 30 \text{ mA}$

## Maintenance openings

### Maintenance

Install the whirltub in such a way that all of the important equipment (pump, blower and control system) remains accessible. It is recommended to install the tub with a removable furniture panel for easy maintenance.



#760702

## Location of the whirl system components

The illustrations show the standard configuration for the components of the whirl system\* with the location of the operating unit. The back massage is located at the head end (depending on the whirl system).

Custom-made designs available on request. In such cases we will require a drawing showing the desired layout. Duravit will confirm whether the desired layout can be implemented.

## Legend



Unit 1



Unit 2\*



Control panel\*\*



Suction screen

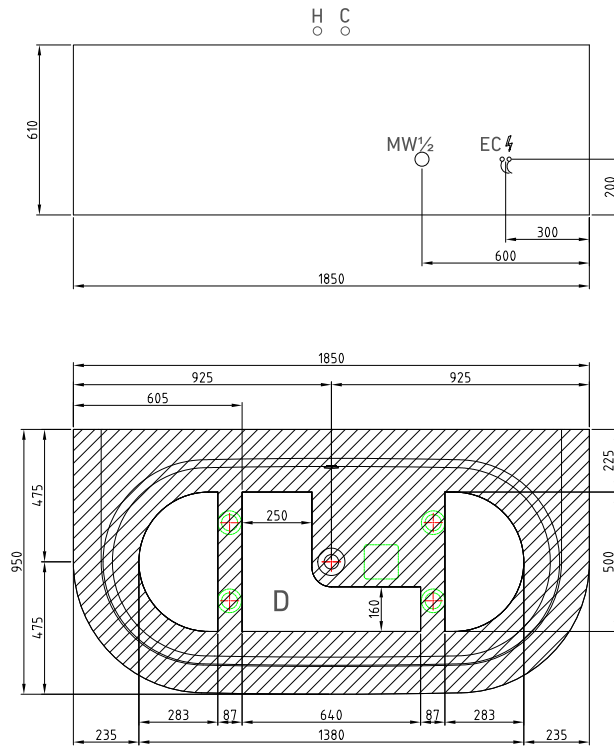


Recommended  
equipment covers



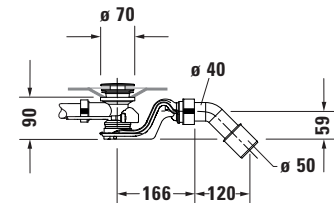
Recommended  
equipment covers\*\*\*

\* Only Combi-Systems / \*\* The number of operating elements is based on the whirl system and the additional modules selected / \*\*\* Only necessary for Combi-System E/L in combination with sound and/or coloured LED light

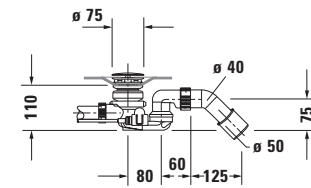


- H: Hot water connection
- C: Cold water connection
- D: Drain connection
- MW: Mixed water connection for water inlet
- EC : Electricity connection

**Bathtub**

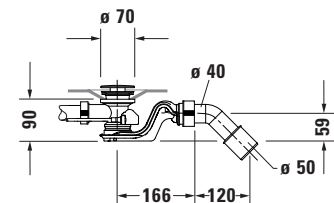


Siphon #792218, with water inlet #792219

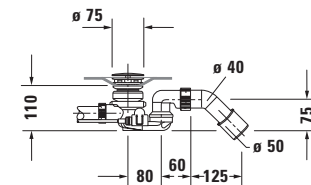


Siphon with base inlet #791228

**Whirtub**



Siphon (inclusive), with water inlet #791252



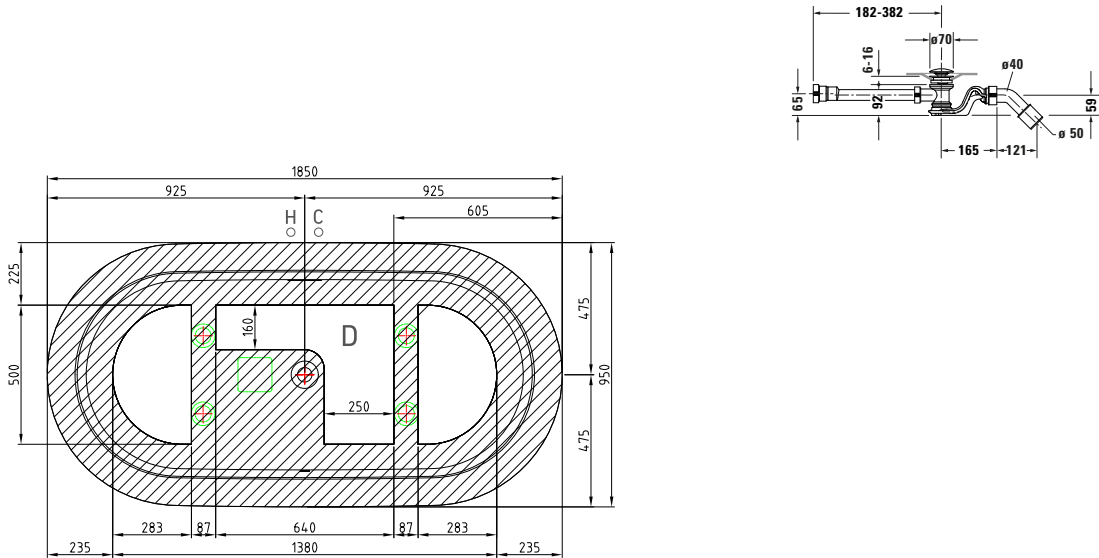
Siphon with base inlet #791275

		Height [mm]	including feet [mm]	including support [mm]
X	Bathtub	610	-	-
X	Whirltub	610	-	-

**Technical specifications**

Net weight [kg]	Floor load [kg/m <sup>2</sup> ]	Shipping weight [kg]	Shipping dimensions l x w x h [cm]	Drain connection [mm]	Inlet connection (OG) [inch]	Whirlsystem	
						Model-No.	
148	223	159,0	206 x 108 x 72	40/50	3/4", 1/2"	-	700702 32 0 00 0000
155	227	166,0	206 x 108 x 72	40/50	3/4", 1/2"	Air-System	760702 32 0 AS 0000

Bathtub



- H: Hot water connection
- C: Cold water connection
- D: Drain connection

	Height [mm]	including feet [mm]	including support [mm]
Bathtub	610	-	-

Technical specifications

Net weight [kg]	Floor load [kg/m <sup>2</sup> ]	Shipping weight [kg]	Shipping dimensions l x w x h [cm]	Drain connection [mm]	Inlet connection (OG) [inch]	Whirlsystem	Model-No.
150	245	161,0	206 x 108 x 72	40/50	-	-	700703 32 0 00 0000