

DuraSystem®

安装说明

Mounting instructions

隐藏式水箱

wall carrier



重要说明



电气安装

4

Important information

Electrical installation

5



安装, Installation

8

本安装说明是 Duravit 产品的一部分，安装前请务必仔细阅读。

目标读者和安装人员资格

座便器安装架只能由有资质的水管工安装。
电气安装只能由有资质的电工进行。

关键词与符号说明

	危险	表示如不可避免将会导致死亡或严重伤害的危险情况。
		请参阅本章节中的安装说明
		请参阅电气安装章节
		请参阅其他说明
		冷水
		水管安装
		检查是否有泄漏以及密封性是否良好

> 所需操作

安全说明

电击可导致生命危险

接触电流会导致电击。

> 根据本国、欧盟和国际准则及标准进行电子装置安装。

健康风险和可能导致的产品损坏

> 座便器安装架应接入主供水管道的自来水。

> 请勿接入任何废水、混水、工业水、海水或其他未处理或半处理的水。

产品和/或财产损坏

违反当地和所在国家/地区的规章条例和标准可能会导致产品损坏和/或造成财产损失。

> 请务必遵守所在国家/地区的标准和当地安装规章条例。

安装之前

检查墙体的承重能力。

确保墙体为混凝土结构或实心墙。

墙体厚度应为 80 mm 以上，地面应为混凝土地面。

墙体应能承受在座便器中间部位施加 400 kg 的力，并且安装架和地面配件没有移位或松动。

安装说明

2 确定排污管位置

如果按参照标记设定座便器安装架的高度，

排污管的高度应为 220 mm。

座便器安装架的高度可单独调整：

> 按照座便器的技术图纸，根据排污管的位置确定座便器安装架高度。

22 SensoWash® 电子座便器

Duravit 建议安装电子座便器之前，先进行预安装。

> 提前确认水管连接和电源连接位置。

> 根据电子座便器的技术说明书安装供电线路。



危险

有致命的触电风险

与电接触可能导致触电事故。

- > 电气安装应按照相关国家/地区、欧盟和国际指令和标准进行。
- > 根据电子座便器的技术说明书安装供电线路。
- > 电子座便器安装妥当后，接通电源。

28 安装操作面板

- > 根据面板安装说明书将操作面板安装到指定位置



Important information

The mounting instructions come as part of the Duravit product and must be read carefully prior to installation.

Target readership and qualifications

The toilet frame may only be installed by a qualified plumber. The electrical installation should only be carried out by qualified electricians.

Explanation of the key words and symbols



Indicates a hazardous situation which, if not avoided, will result in death or serious injury.



Link to the **mounting instructions** in this section



Link to the **electrical installation** section



Link to other **instructions**



Cold water



Water installation



Inspect to check for leaks and leak-tightness

> Action required

Safety instructions

Risk of fatal electric shock

Contact with electricity can lead to an electric shock.

- > Carry out the electrical installation in accordance with the national, European and international directives and standards.

Health risk and potential product damage

- > Supply the toilet frame with tap water from the main water system.
- > Do not connect any waste water, grey water, industrial water, sea water or other untreated or semi-treated water.

Product and/or property damage

The breach of local and country-specific regulations and standards can cause damage to the product and/or property damage.

- > Observe the local installation regulations and any country-specific standards at all times.

Prior to the installation

Check the load-bearing capacity of the wall.

Make sure the wall is concrete structure or solid wall. The thickness of the wall shall be above 80 mm and the ground shall be made of concrete. When the force of 400 kg is applied to the middle of the toilet, the wall shall be able to bear this force, the frame and ground fixings shall not be displaced or loose.

Mounting instructions

2 Observing the position of the drain

If the height of the toilet frame is set on the reference marker, the height of the drain is at 220 mm.

The height of the toilet frame can be adjusted individually:

- > Set the height of the toilet frame based on the position of the drain according to the technical drawing of the toilet.

22 SensoWash® shower toilet

Duravit recommends carrying out the preinstallation when subsequently installing the shower toilet.

- > Confirm the position of the water and power supply in advance.
- > Install the power supply line according to the technical instructions for the shower toilet.



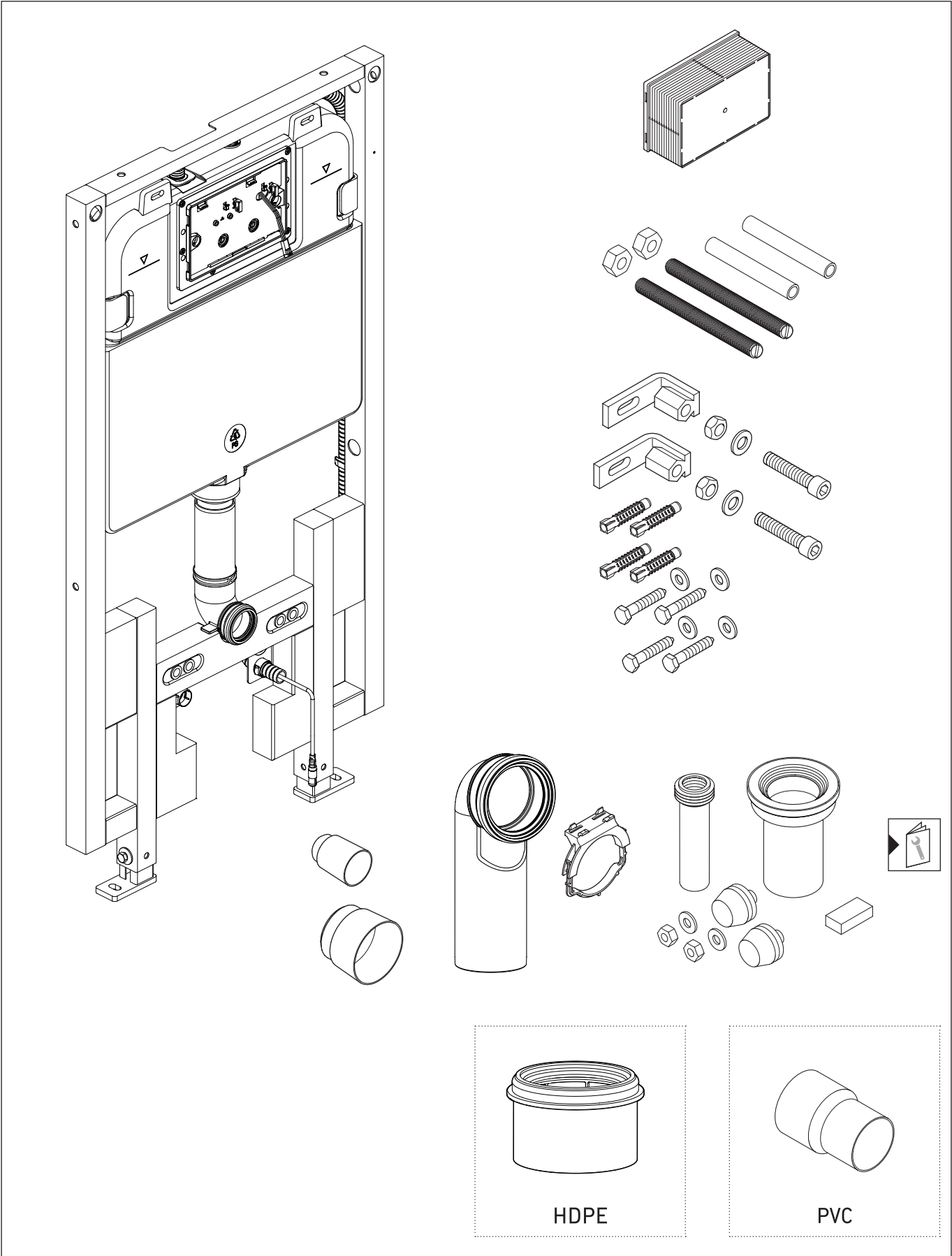
Electrical installation

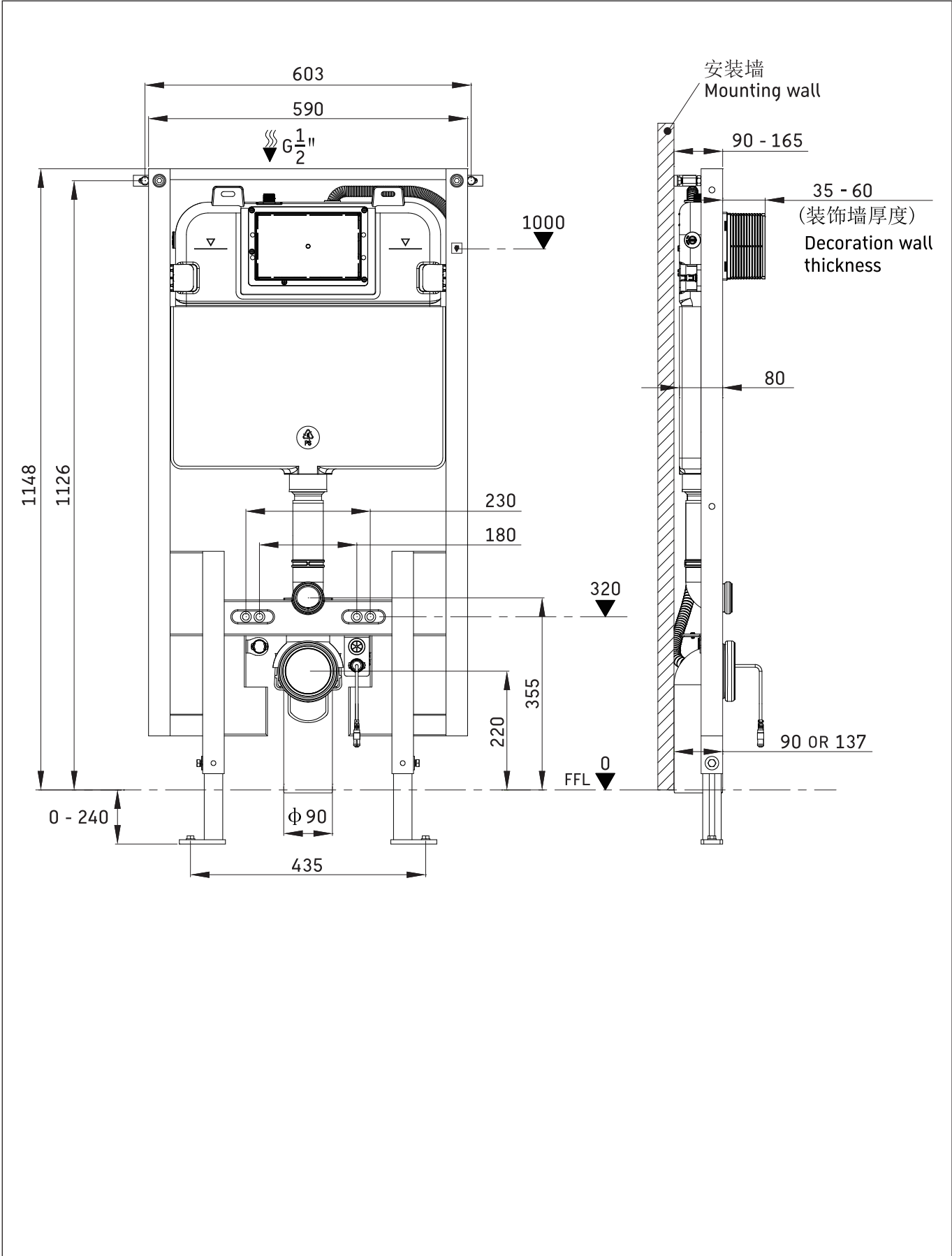
⚠ DANGER**Risk of fatal electric shock**

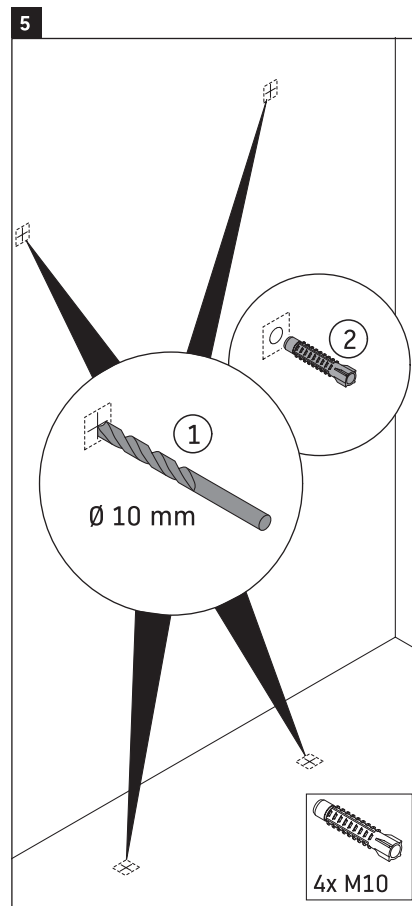
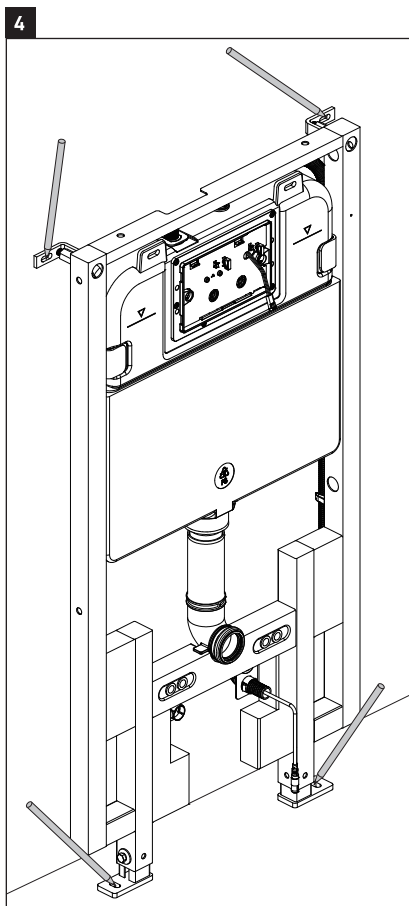
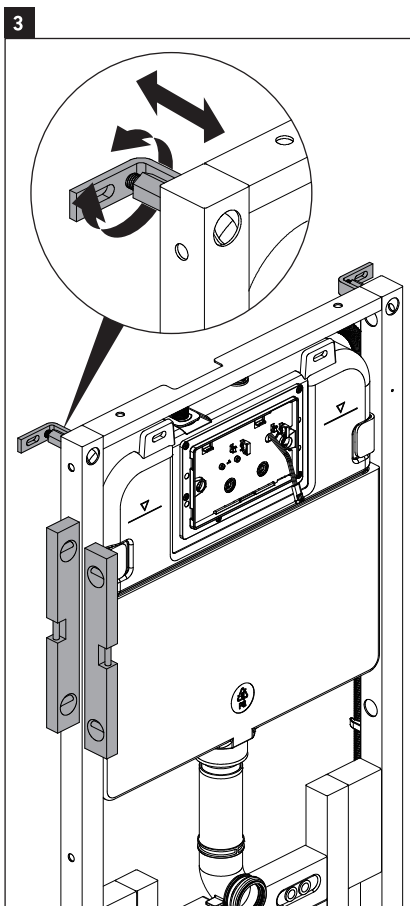
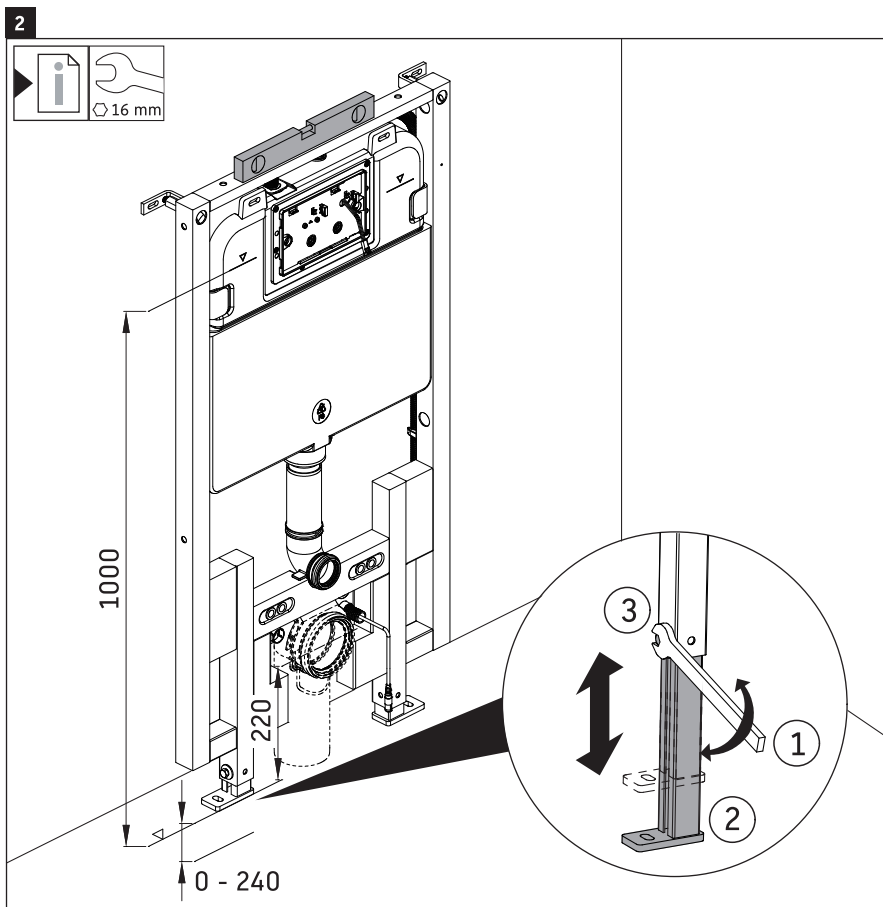
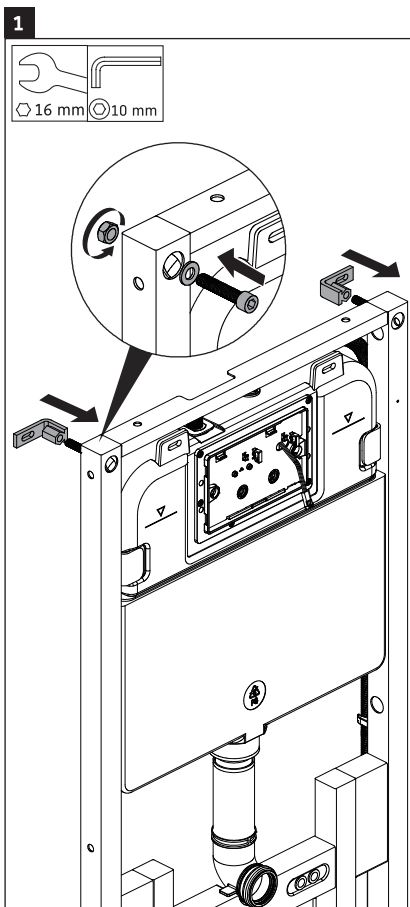
- > Disconnect electrical components from the power supply before the installation.
- > Check that all components are de-energised.
- > Prevent the power supply from being switched on accidentally.

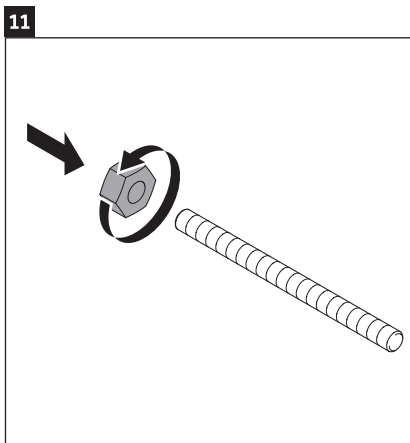
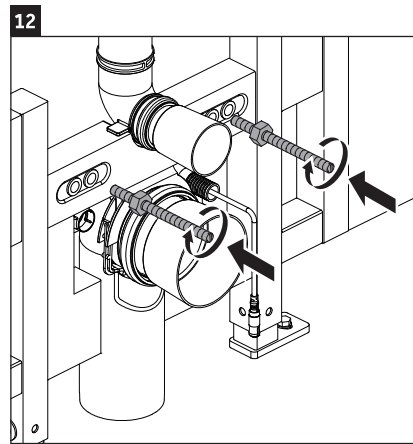
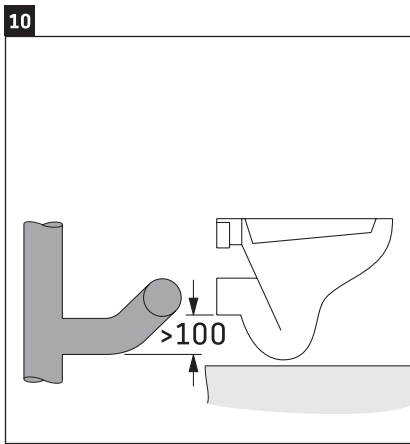
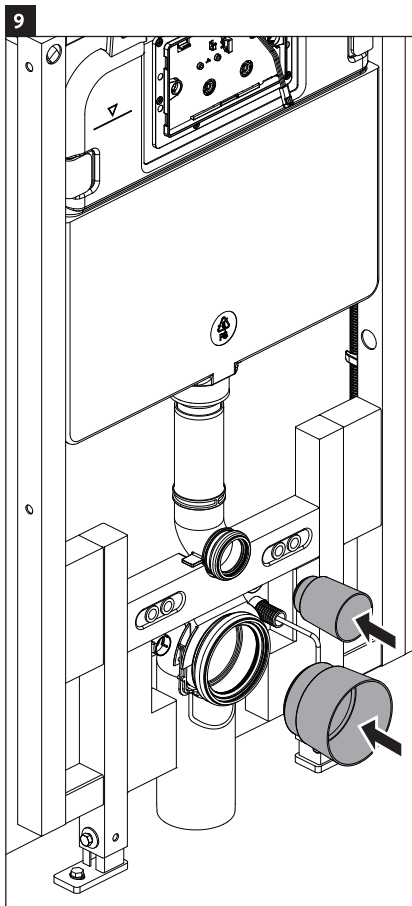
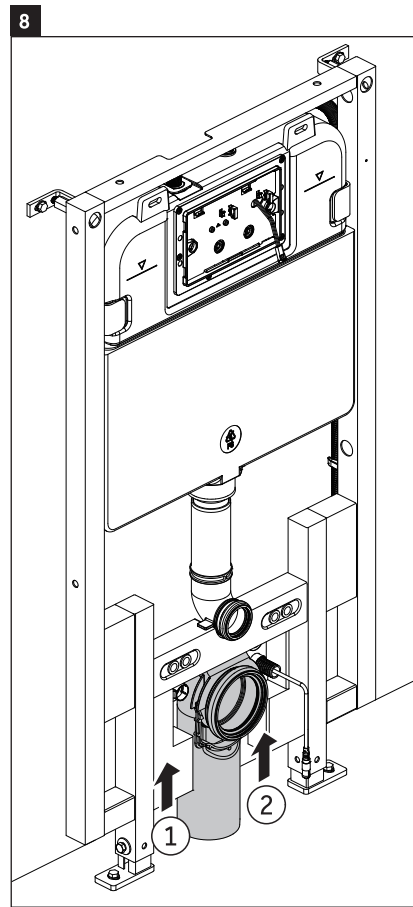
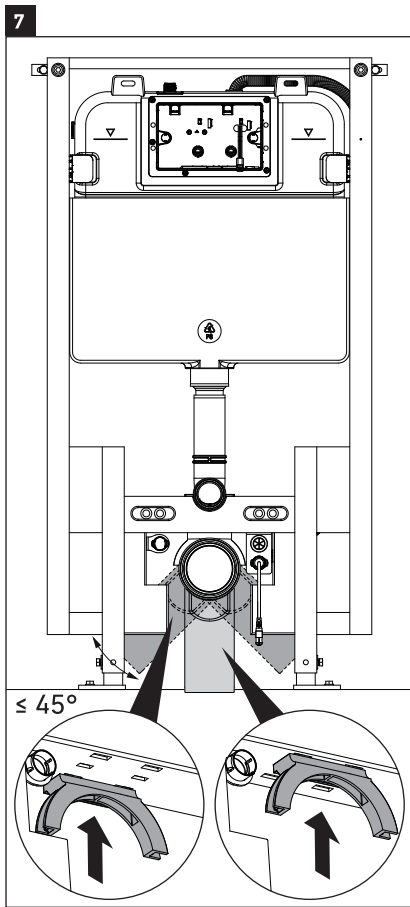
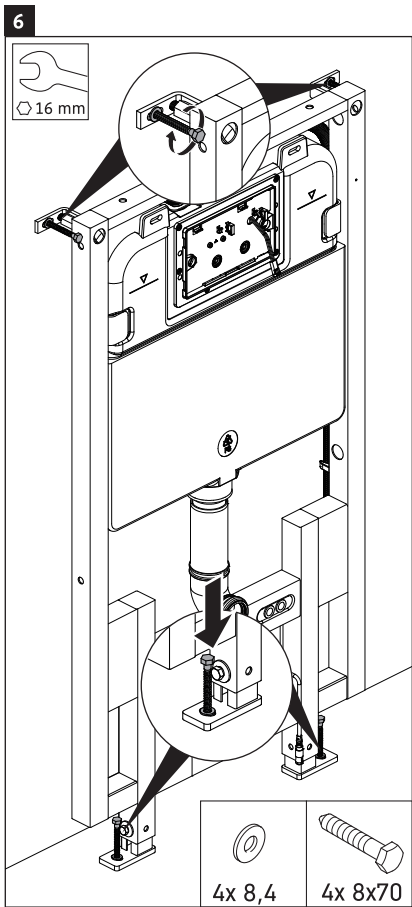
28 Mounting the operational plate set

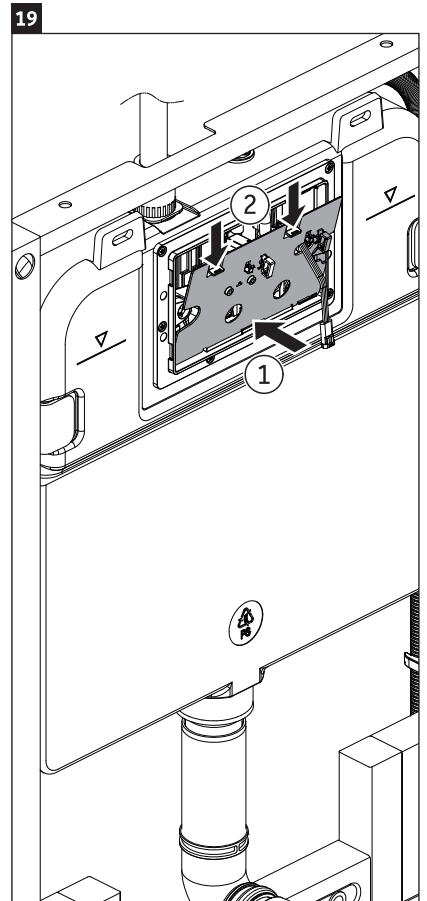
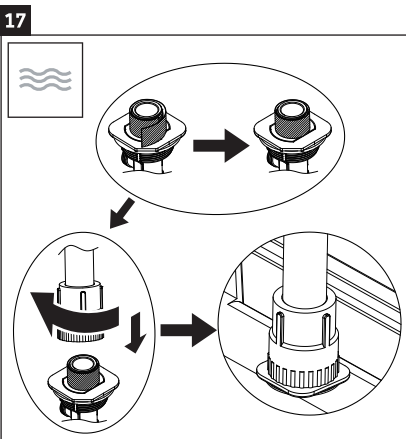
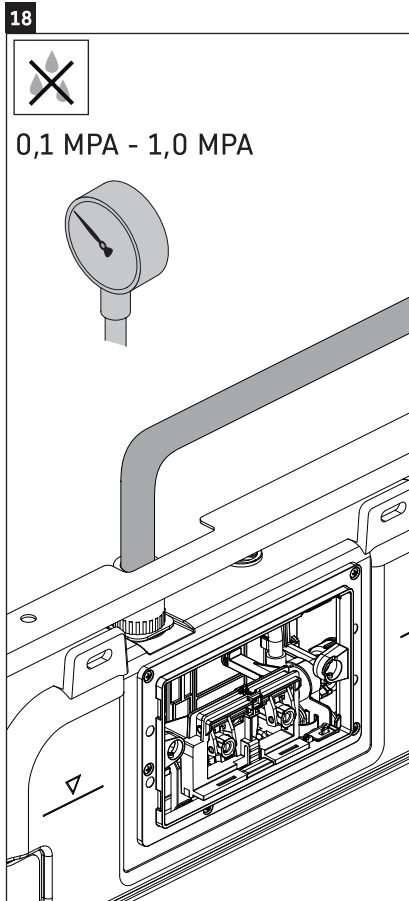
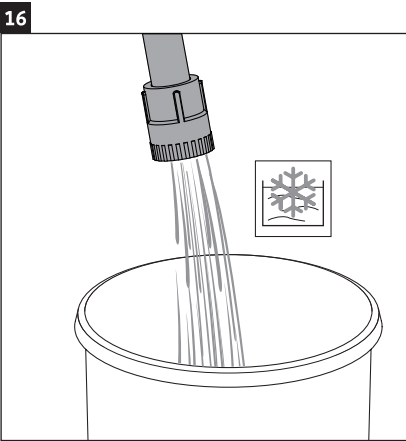
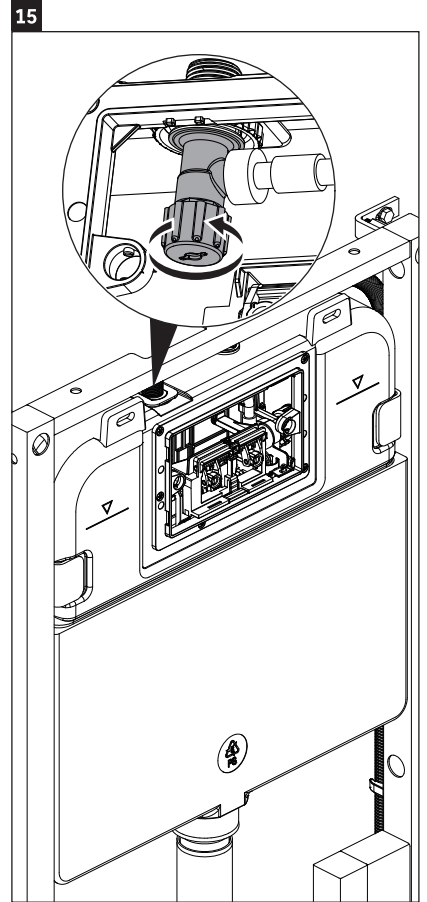
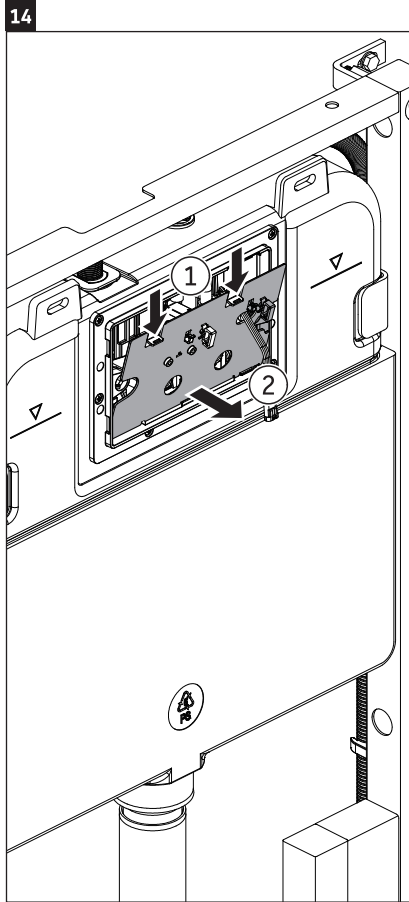
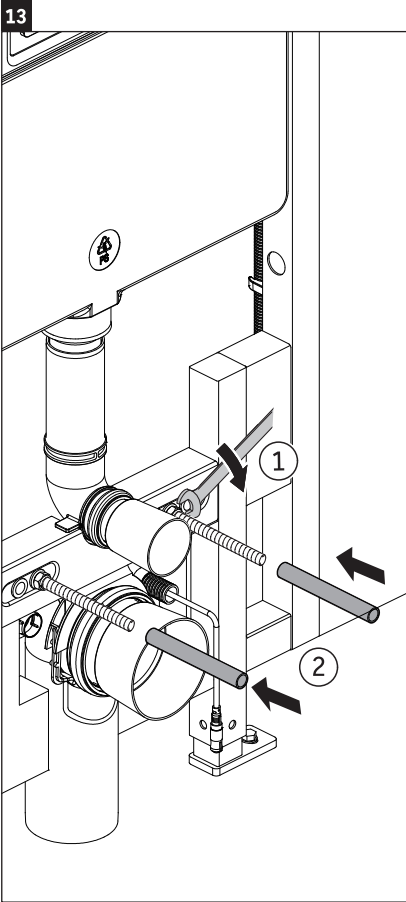
- > Mounting the operational plate at the designated position.

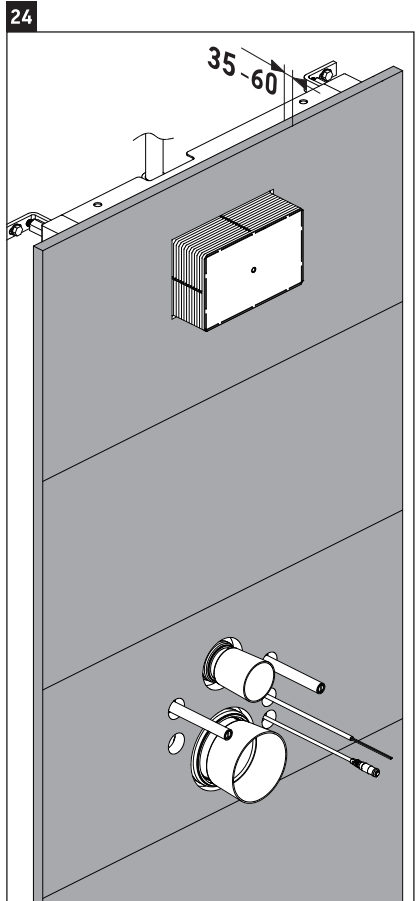
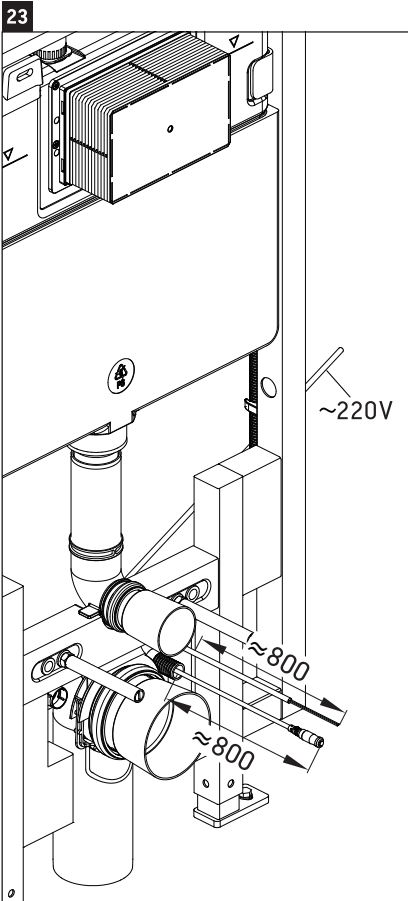
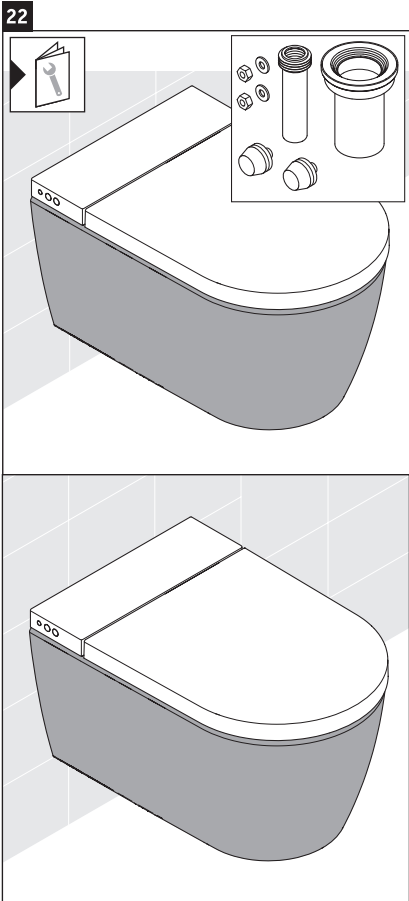
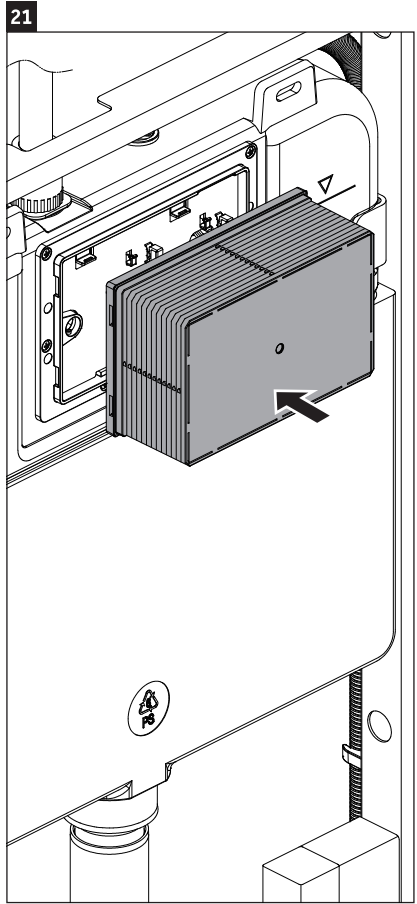
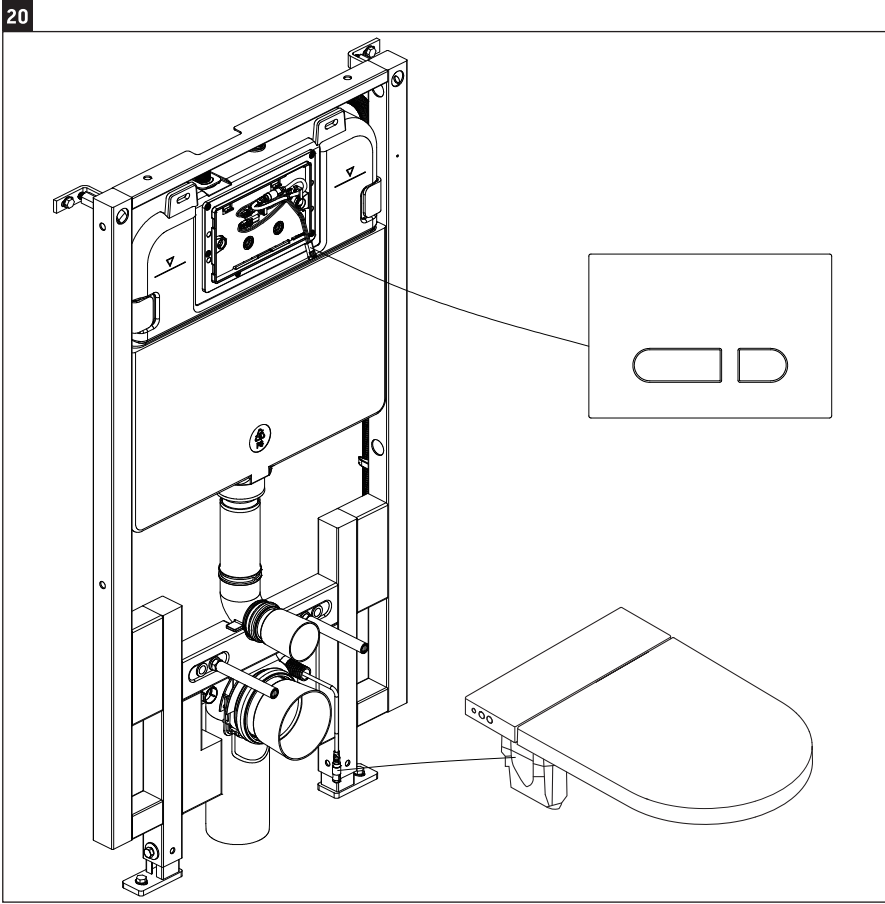






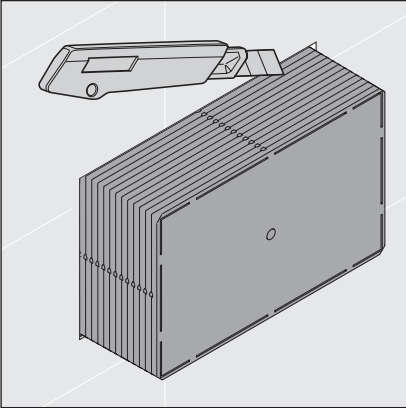




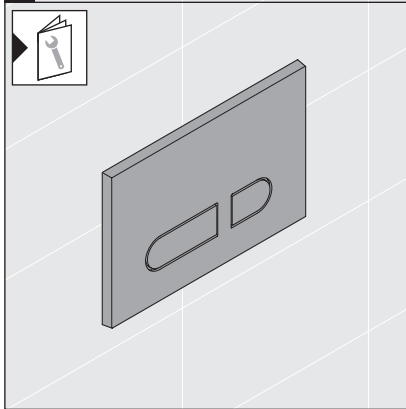




25



26





杜拉维特（中国）洁具有限公司
重庆市江津区珞璜工业园B区园区大道88号
客服电话 + 86 400 105 1055
周一至周五 9:00-12:00; 13:00-17:00
info@duravit.com
www.duravit.com

DURAVIT AG
P.O. Box 240
Werderstr. 36
78132 Hornberg
Germany
Phone +49 78 33 70 0
Fax +49 78 33 70 289
info@duravit.com
www.duravit.com

