

Qatego

Pre-installation data sheet

Stone console (natural stone)

Safety

ABOUT THIS DOCUMENT

Before starting the installation, plan the layout in detail, taking the site conditions into consideration.

TARGET READERSHIP AND QUALIFICATIONS

All work associated with the installation may only be undertaken by plumbers.

- Plumbers are persons with the appropriate technical training, knowledge and experience so that they can recognise and avoid dangers and risks that may arise during the installation in the sanitary area.
- Plumbers are qualified to select and use suitable protective equipment.
- Plumbers are familiar with and observe the installation regulations of local utility companies and country-specific standards.

SAFETY INSTRUCTIONS

Risk of fatal injury due to falling items of furniture.

The stone console is extremely heavy. If it falls, this may cause serious or life-threatening injuries caused by crushing or pinching.

- > The stone console requires attachment to a concrete element by means of heavy-duty M12 anchors as a minimum, e.g. Fischer FAZ II 12/10 (Duravit art. no. #0050980000) or Fischer FH II 12/M6 I (Duravit art. no. #0050970000) or similar.
- > The load-bearing capacity of the wall needs to be confirmed by an expert.
- > The stone console must be carried by at least 2 people and transported by suitable means if necessary.
- > Read and follow the instructions.

Product and/or property damage caused by improper transport!

Improper transport can cause damage to the product and/or property damage, e.g. leaks.

- > Wear appropriate protective clothing.
- > Avoid knocks.

Pre-installation

INSTALLATION LOCATION

The installation location must meet the following criteria:

Door / external access	<ul style="list-style-type: none"> • Check the external access is the necessary size. Observe the dimensions, weight and manoeuvring options.
Required area	<ul style="list-style-type: none"> • Allow for enough space for the installation.
Wall	<ul style="list-style-type: none"> • The stone console is extremely heavy. The wall must withstand the specified loads. • The mounting material (screws and anchors) must withstand the specified loads. These are not included in the delivery.

WATER INSTALLATION

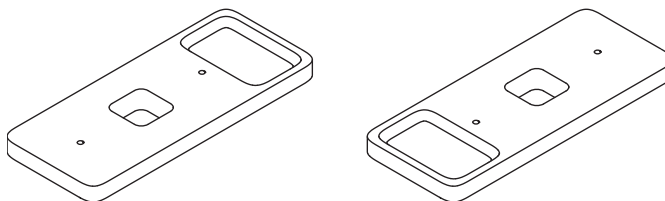
Water connection

- Ensure that the water connection and drain are installed in the specified areas.
- The installation is only possible in conjunction with a wall-mounted tap unit.

Product information

INSTALLATION VARIANTS

The stone console (1000 x 410 mm) can be mounted either with the shelf on the left or the shelf on the right.



Depending on the installation variant, the reference point for the drain (and the wall-mounted tap unit) changes. This is the starting point for measuring the mounting points. The dimensions are specified in the technical drawing if the shelf is mounted on the right.



Total weight

- Stone console (natural stone) 1000 x 410 mm 84 kg
- Over-counter basin
- Mounting material for the over-counter basin

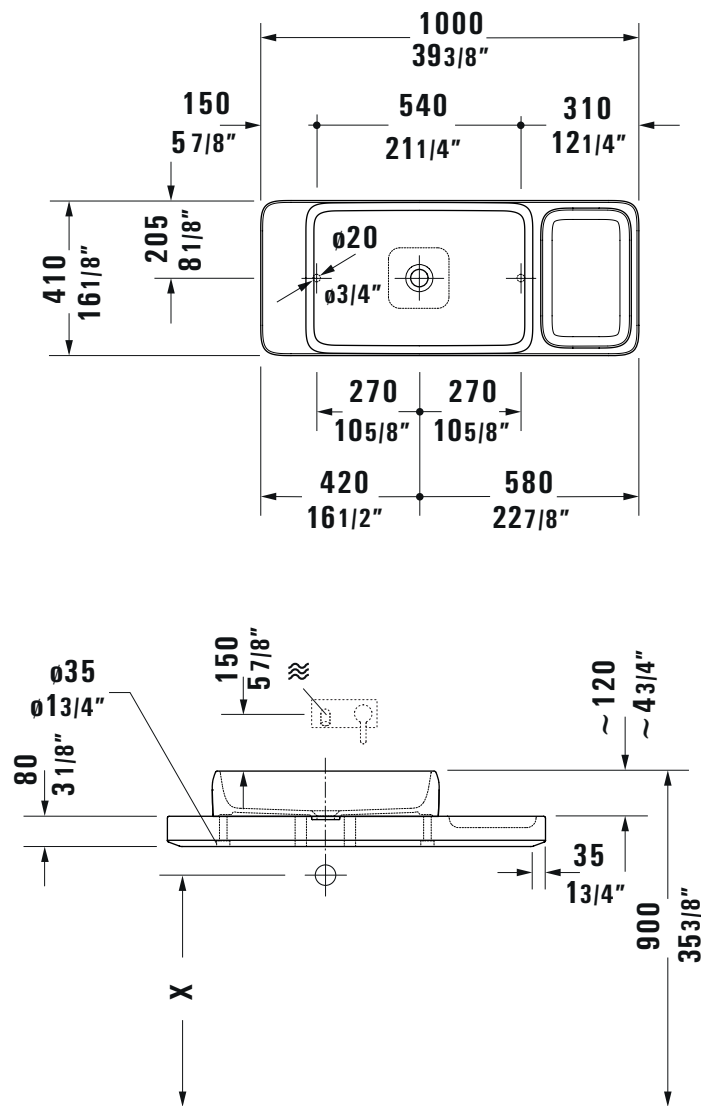
Recommended accessories (not included in the delivery):

- Furniture console #QA4699

Necessary accessories (not included in the delivery):

- Drain valve
- Siphon
- Mounting material for the wall (screws and anchors)

TECHNICAL DRAWING





Total weight

- Stone console (natural stone) 1000 x 450 mm 118 kg
- 2x heavy-duty console support
- Over-counter basin
- Mounting material for the over-counter basin

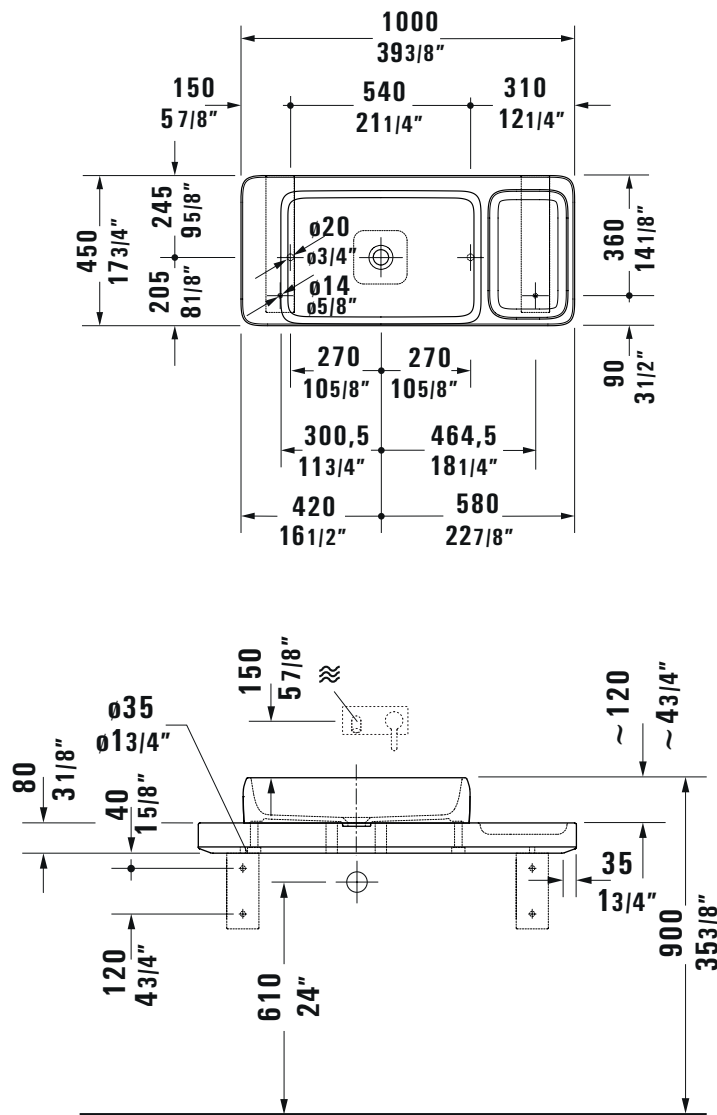
Necessary accessories (not included in the delivery):

- Slotted waste (#005024)
- Design siphon (#005036)
- Mounting material for the wall (screws and anchors)

Optional accessories (not included in the delivery):

- Heavy-duty anchors and mounting screws (#005097). Only suitable for mounting in a concrete wall.

TECHNICAL DRAWING





Total weight

- Stone console (natural stone) 1400 x 450 mm 148 kg
- 2x heavy-duty console support
- Over-counter basin
- Mounting material for the over-counter basin

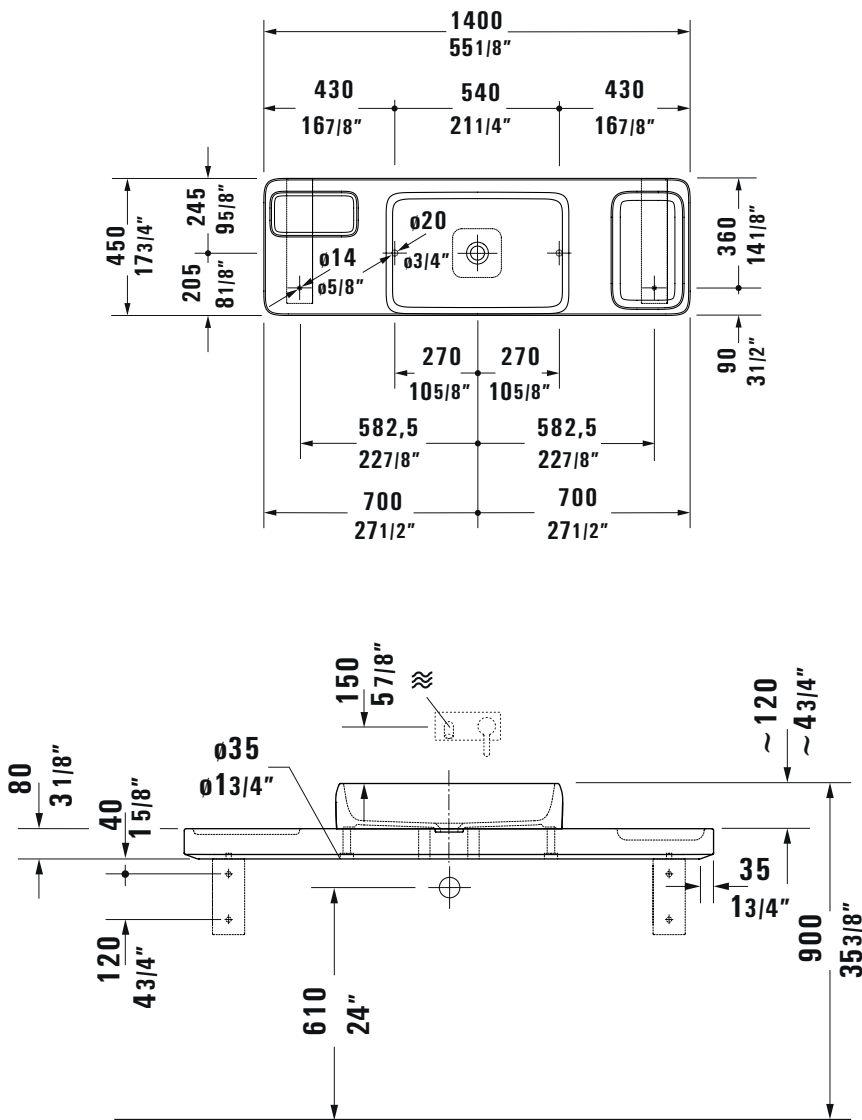
Necessary accessories (not included in the delivery):

- Slotted waste (#005024)
- Design siphon (#005036)
- Mounting material for the wall (screws and anchors)

Optional accessories (not included in the delivery):

- Heavy-duty anchors and mounting screws (#005097). Only suitable for mounting in a concrete wall.

TECHNICAL DRAWING





Total weight	
• 2x console support	27 - 36 kg
• Furniture console	(without stone console and washbasin)
Min. 1200 mm x 480 mm	
Max. 2000 mm x 480 mm	

Necessary accessories (not included in the delivery):

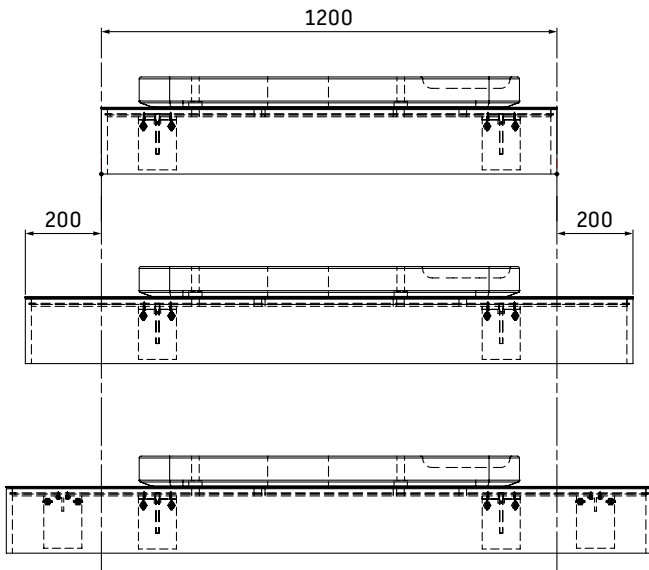
- Washbasin set: Washbasin with stone console (#D48001-D48003)
- Slotted waste (#005024)
- U-bend (#005026) + additional immersion tube (200 mm)
- Mounting material for the wall (screws and anchors)

Optional accessories (not included in the delivery):

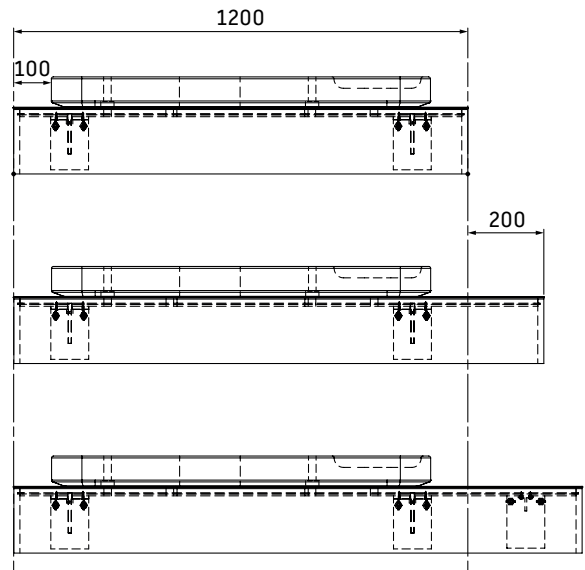
- Additional console support(s) (#UV9571)
- Heavy-duty anchors and mounting screws (#005098). Only suitable for mounting in a concrete wall.

ADDITIONAL CONSOLE SUPPORT(S)

If the stone console is placed in the middle, two additional console supports are required from a width > 1600 mm.



If the stone console is placed on the left or right, an additional console support is required from a width > 1400 mm.



TECHNICAL DRAWING

