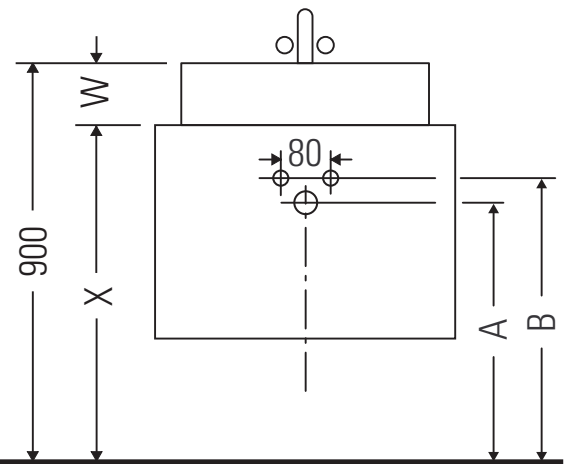
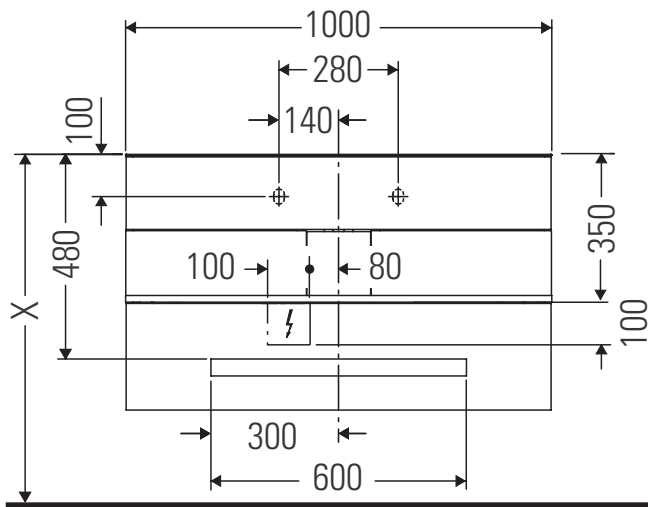


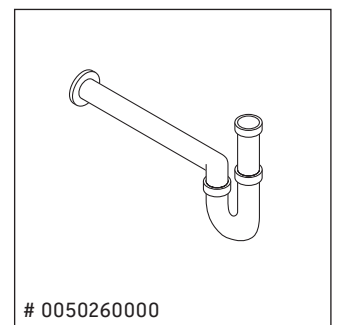
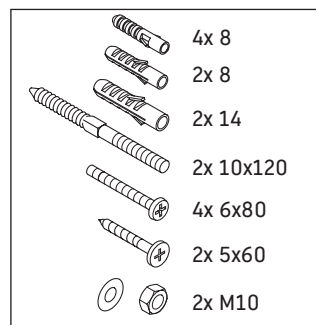
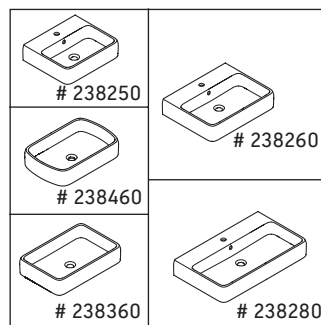
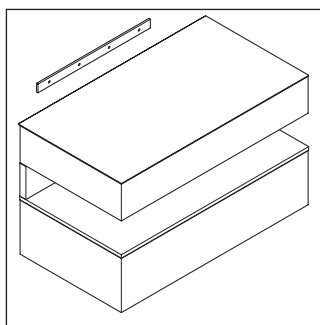
Qatego

QA 4731

Mounting instructions



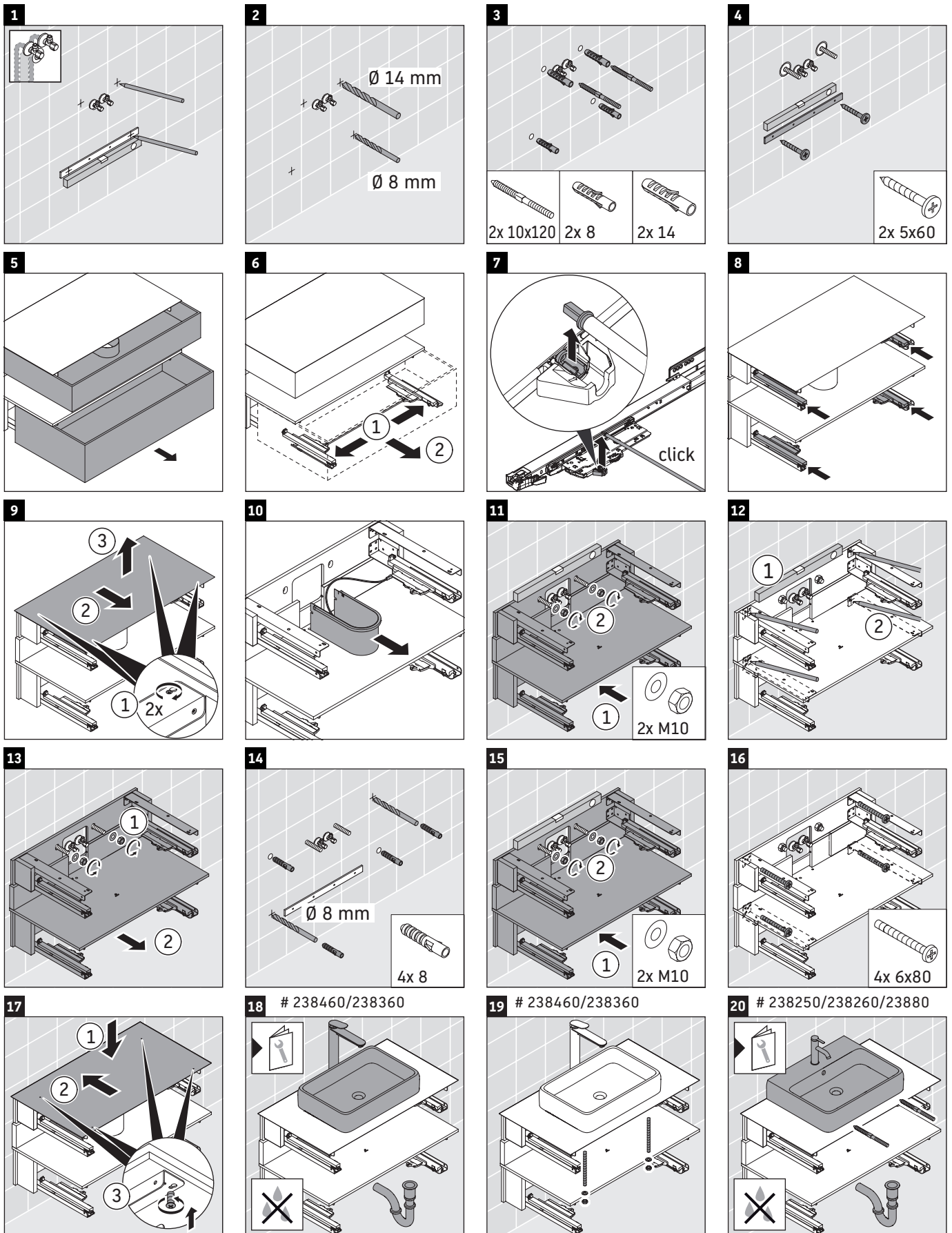
A	B	$X + W = 900$
610	660	



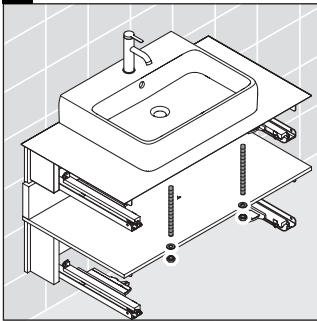
Instructions for use

The bathroom furniture range complies with the standards and guidelines applicable at the time of delivery and is designed for use in bathrooms. Direct contact with water should be avoided, for example, when showering.

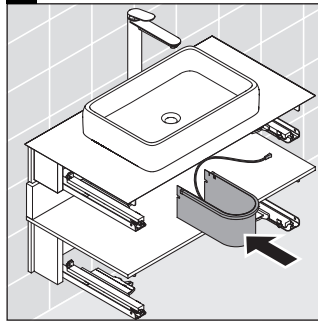
We reserve the right to make technical improvements and design modifications to the products illustrated.



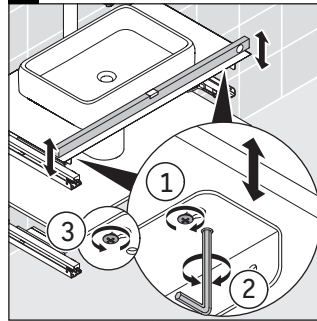
21 # 238250/238260/23880



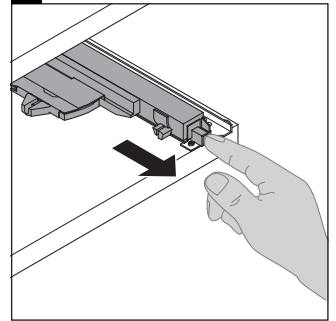
22



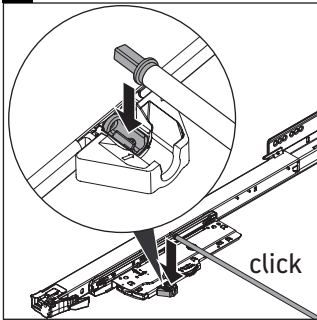
23



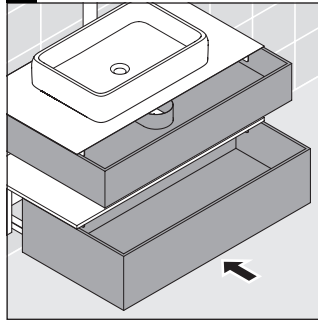
24



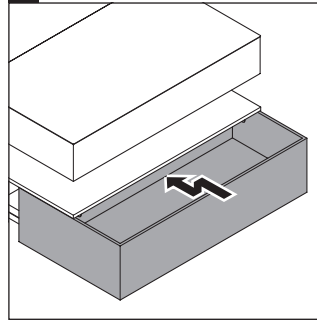
25



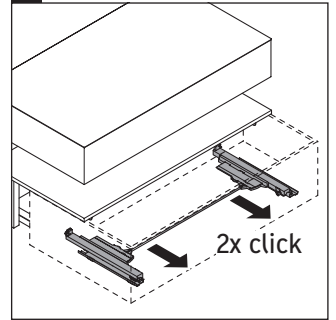
26



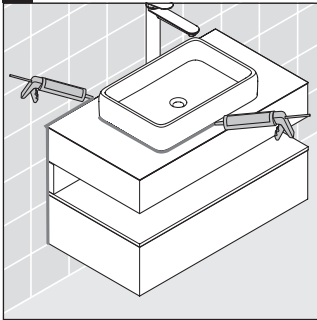
27



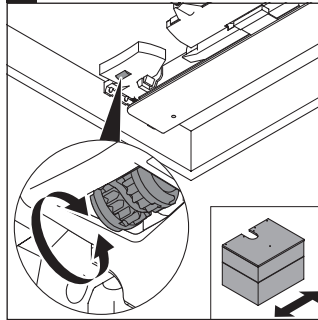
28



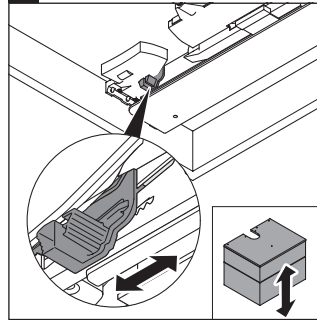
29



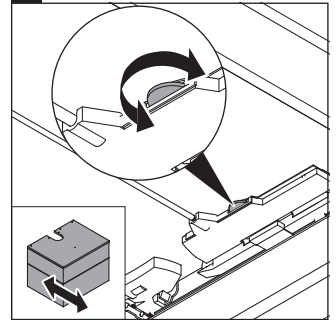
30



31



32



33

