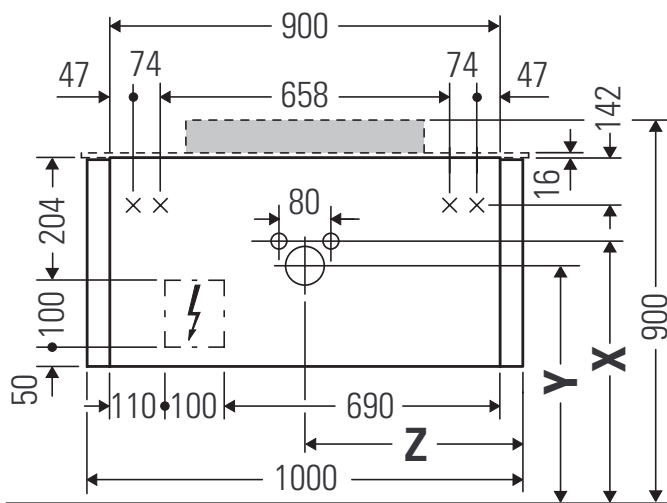
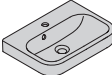


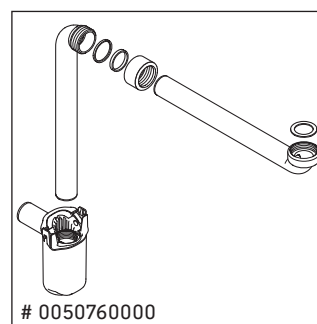
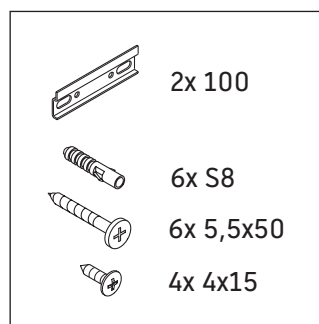
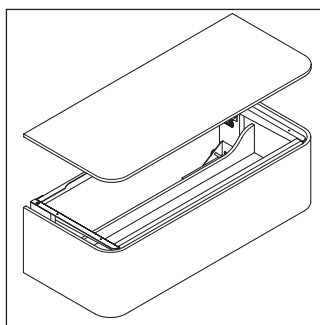
Happy D.2 Plus

HP 4941

Mounting instructions



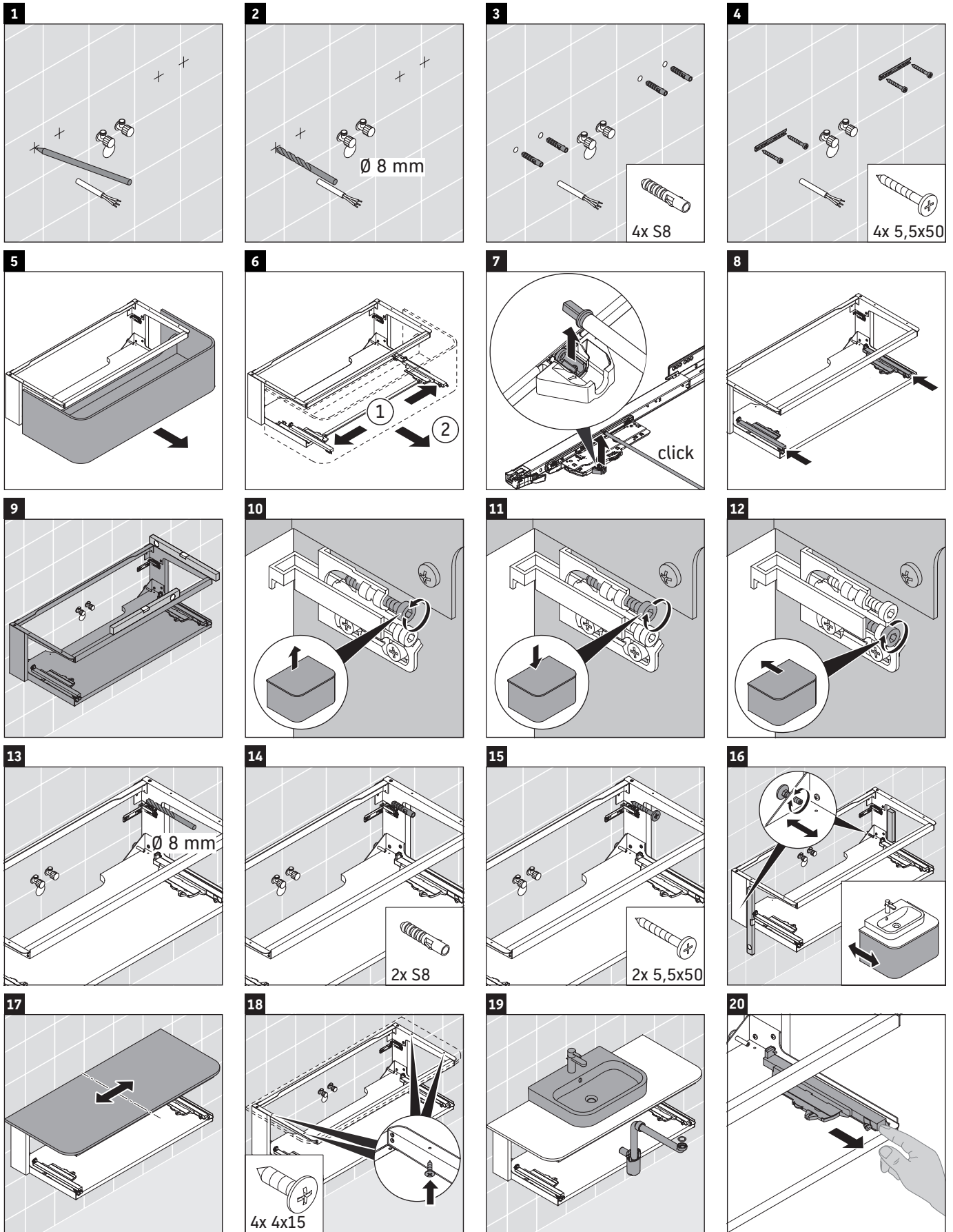
	Z mm	X mm	Y mm
#231440	502	660	610
#231460	502	660	610
#231560	502	655	605
#235940	502	695	645
#235960	502	695	645
#236050	502	690	640
#236060	502	665	615



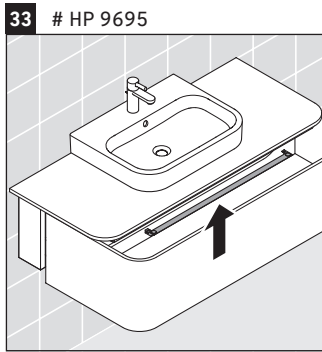
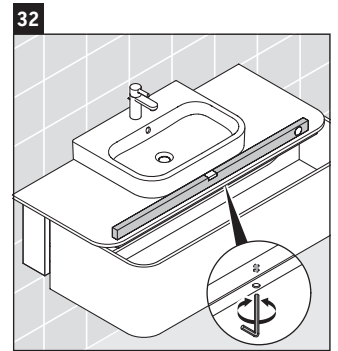
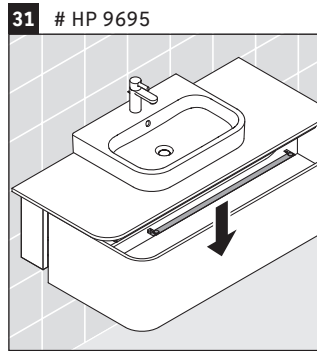
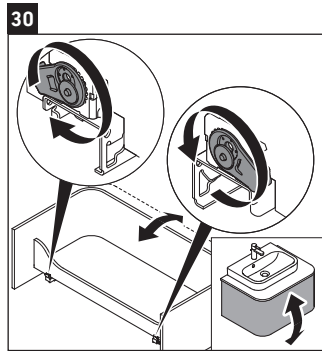
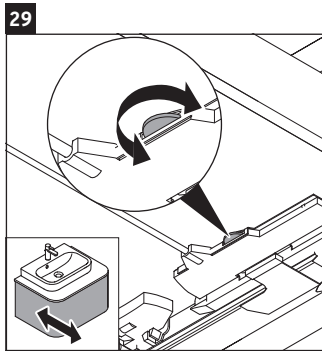
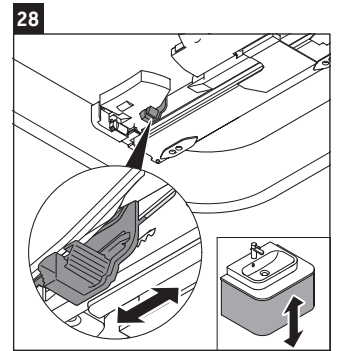
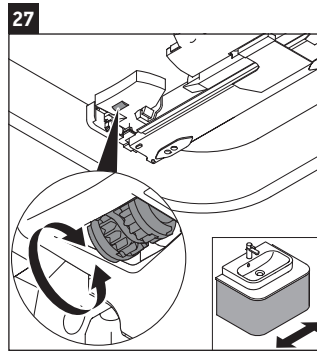
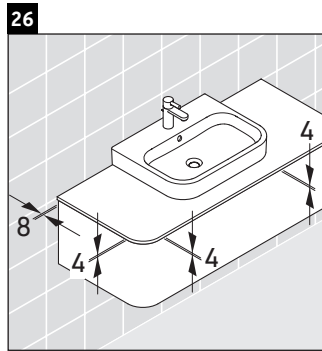
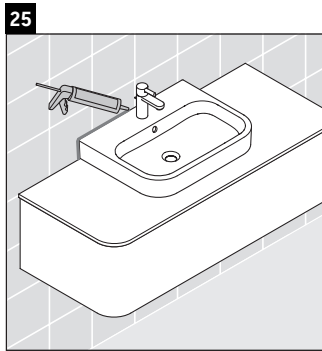
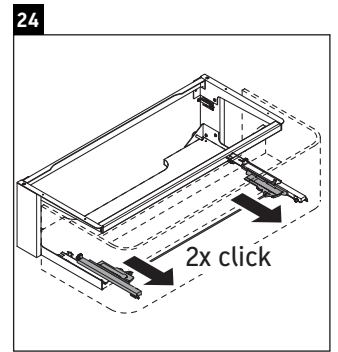
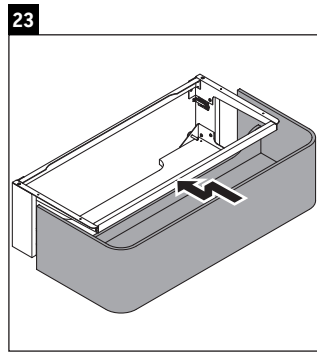
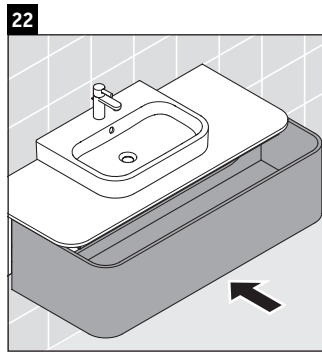
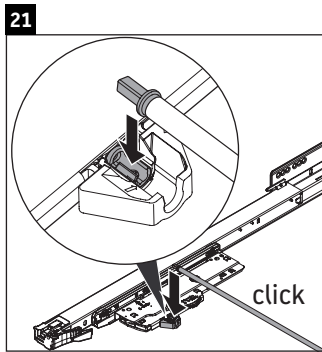
Instructions for use

The bathroom furniture range complies with the standards and guidelines applicable at the time of delivery and is designed for use in bathrooms. Direct contact with water should be avoided, for example, when showering.

We reserve the right to make technical improvements and design modifications to the products illustrated.



Order no. HP4941/20.02.2



Duravit AG
P.O. Box 240
Werderstr. 36
78132 Hornberg
Germany
Phone +49 78 33 70 0
Fax +49 78 33 70 289
info@duravit.com
www.duravit.com

